



Sovitron Interior Pvt.Ltd.



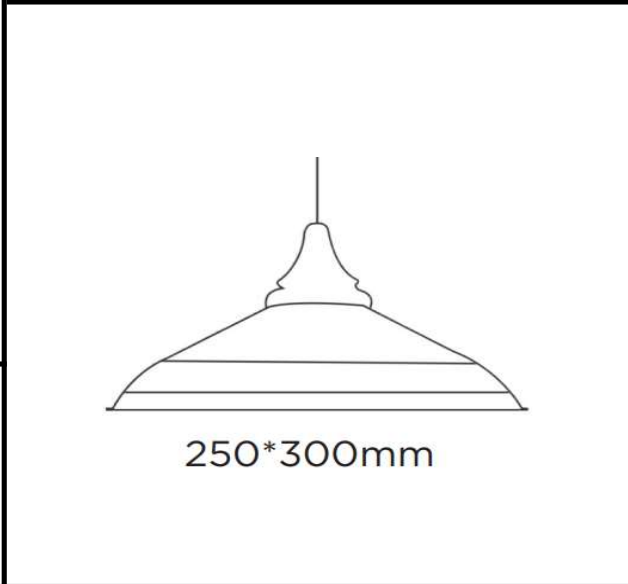
| | |
|--------------------|--|
| Model Name | DL-5882-BL Acoustic Light /DL-5882-BL-15 |
| Description | Acoustic Light |

| Technical description | Image |
|-----------------------|-------|
|-----------------------|-------|

| | |
|----------------------------|--|
| Dimension | Dia=250mm H=300mm |
| Frame | Acoustic |
| Color Tempertaure | 3000K |
| Power | 15W |
| Total Luminous Flux | 1050 lm |
| Efficacy | 70 lm/W |
| IP rating | 20 |
| Color Rendering | ≥80 |
| Mounting | Pendant |
| Optics | LED |
| Dimming | NON-Dimmable |
| Operating Voltage | 220-240 VAC |
| Standard Lifetime | L70 minimum at 50,000 burning hours |



Dimension diagram



Remarks:-

Address: Plot #7 Saroorpur-Nangla Industrial Area,Ballabgarh-Sohna Road,Faridabad-121005
Email: info@sovitron.com